

#153 Mechanical Seal Options

131655 (Std.) Cast Iron Stationary Seat, Carbon Seal Face, FKM O-Rings. (IVCV)

331601 Cast Iron Stationary Seat, Carbon Seal Face, Buna-N O-Rings. (INCN)

331673 Cast Iron Stationary Seat, PTFE O-Ring, Carbon Seal Face w/ PTFE Seal Ring. (IACT)

331648 Stainless Steel Stationary Seat, PTFE O-Ring, Carbon Seal Face w/ PTFE Seal Ring. (WACT)

Please call for mechanical seals not listed. There are many more configurations.

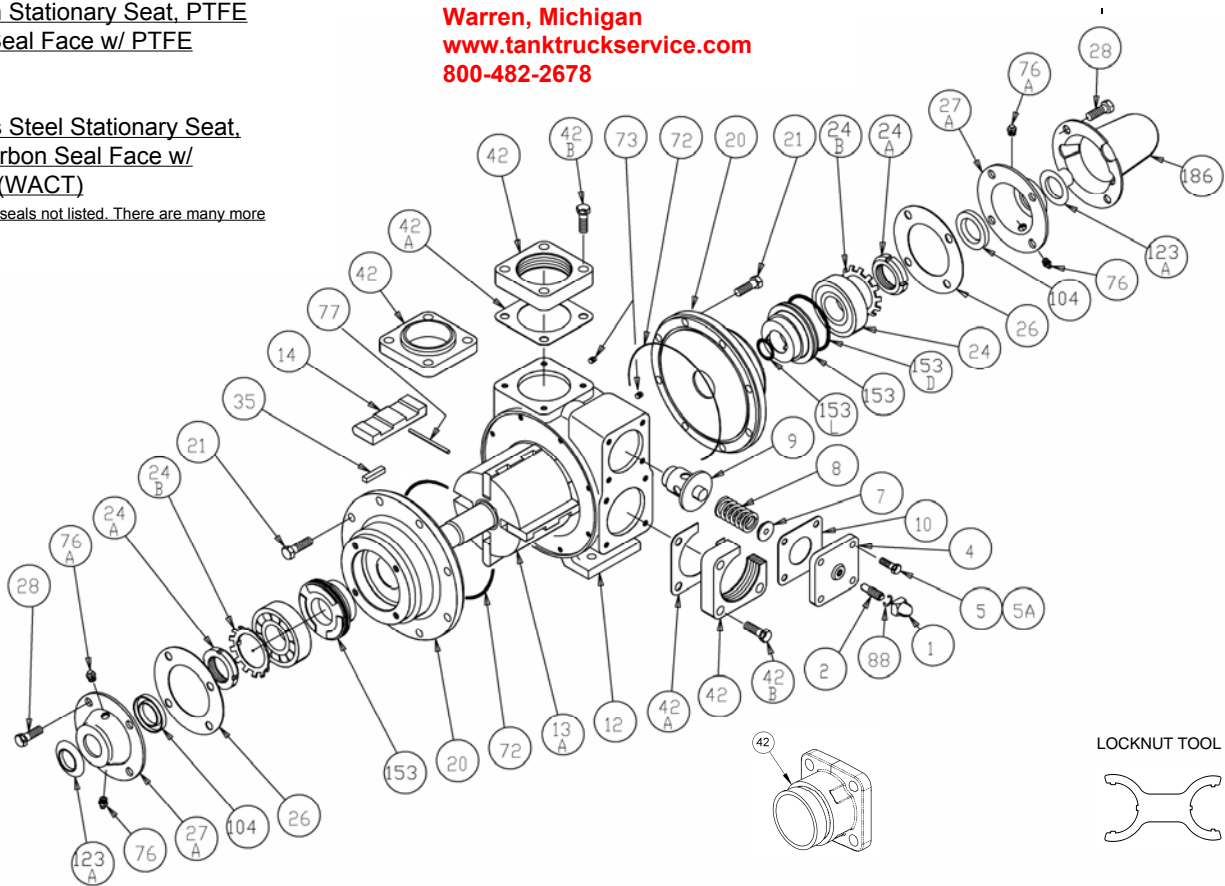
BLACKMER PARTS LIST

PUMP MODELS TXD2A (DOUBLE ENDED SHAFT)

TX2A (SINGLE ENDED SHAFT)

EFFECTIVE MARCH, 2012

Tank Truck Service & Sales, Inc.
Warren, Michigan
www.tanktruckservice.com
800-482-2678



Ref. No.	Description	Parts Per Pump	Part No.	Ref. No.	Description	Parts Per Pump	Part No.		
1	Cap – Relief Valve (R/V)	1	411453	24B	Lock washer - Bearing	2	⁴ 903522		
2	Adjusting Screw – R/V	1	431401	26	Gasket – Bearing Cover	1 - 2	¹ 381406		
4	Cover – R/V	1	411401	27A	Bearing Cover	1 - 2	041431		
5	Capscrew – R/V Cover	3	920316		Bearing Cover – Outboard	0 - 1	041433		
5A	Capscrew w / Hole – R/V Cover	1	920310	28	Capscrews – Bearing Cover	8	920285		
7	Spring Guide – R/V	1	423955	35	Key – Shaft Square	1	^{1,6} 909209		
8	Spring – R/V (36-50 psi)	1	471415	42 –	Flanges, Flange Gaskets / O-rings, and Flange Capscrews		See Backside		
	Spring – R/V (51-75 psi)		471420	42C					
	Spring – R/V (76-110 psi) (Std.)		471425	72		O-Ring – Head (FKM)		2	¹ 701914
	Spring – R/V (111-125 psi)		471428			O-Ring – Head (Buna-N)			¹ 701947
9	Valve – R/V ⁵	1	451417		O-Ring – Head (PTFE)		702242		
	Valve – R/V (Ni Plated)		451415	73	Gage Plug	2	908198		
10	Gasket – R/V Cover	1	¹ 531403	76	Grease Fitting	2	317815		
12	Cylinder	1	021403	76A	Grease Relief Fitting	2	701992		
13A	Rotor & Shaft – Double Ended	1	² 261411	77	Push Rod	2	¹ 123905		
	Rotor & Shaft – Single Ended		² 261426	88	Gasket – R/V Cap	1	¹ 701981		
14	Vane – Duravane	4	¹ 091419	104	Grease Seal	1 - 2	¹ 331918		
20	Head (Std.)	2	031425	123A	Dirt Shield	1 - 2	¹ 701480		
	Head with Drain		031426	186	Shaft Protector	0 - 1	341601		
21	Capscrews – Head	16	920331		Air Valve Kit		891454		
24	Ball Bearing	2	¹ 903156		Tool - Locknut		903091		
24A	Locknut - Bearing	2	⁴ 903521		Maintenance Kit, FKM		898956		
					Maintenance Kit, Buna		898950		

¹ Included in Maintenance Kit

² Includes 24A & 24B

⁴ Earlier models were not fitted with locknuts and lock washers.

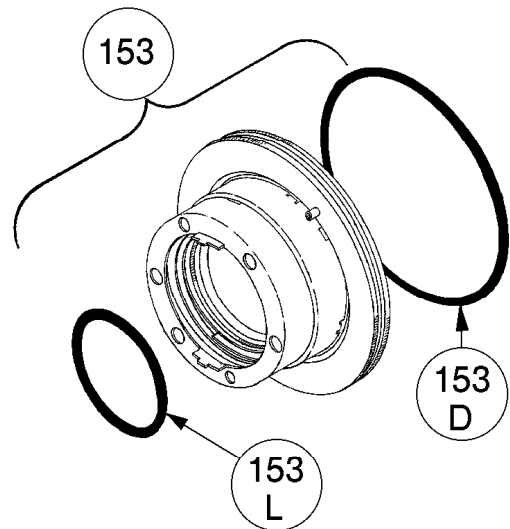
The current rotor / shaft with locknuts and lock washers may be fitted in place of shafts without locknuts and lock washers.

⁵ For Piston Style Air Operated RV see IOM 201-G00, Diaphragm Air RV – 201-F00, DMX Diaphragm RV – 201B-B00.

⁶ Maintenance Kit also includes Woodruff Key 909130 used previously.

MECHANICAL SEALS

REF. NO.	PART NAME	PARTS PER PUMP	PART NO.
153	Mechanical Seal Complete - Cast Iron Stationary Seat, FKM O-Rings, Carbon Seal Face. (IVCV)	2	¹ 331655
	Mechanical Seal Complete - Cast Iron Stationary Seat, Carbon Seal Face, Buna-N O-Rings. (INCN)		¹ 331601
	Mechanical Seal Complete - Cast Iron Stationary Seat, PTFE O-Ring, Carbon Seal Face w/ PTFE Seal Ring. (IACT)		331673
153D	O-Ring – Stationary (FKM)	2	701921
	O-Ring – Stationary (Buna-N)		701934
	O-Ring – Stationary (PTFE)		702056
153L	O-Ring – Rotating (FKM)	2	701980
	O-Ring – Rotating (Buna-N)		701922
	Seal Ring – Rotating (PTFE)		**

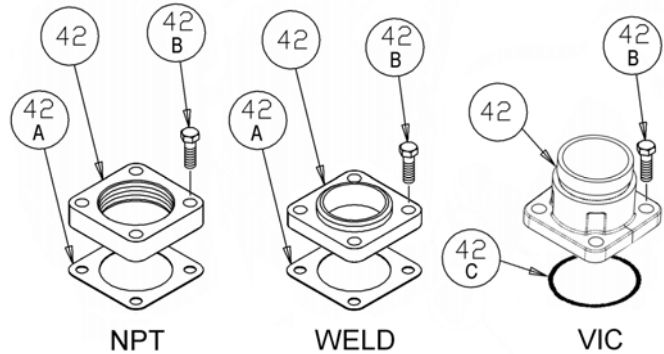


¹ Included in Maintenance Kit

** PTFE Rotating Seal Ring is not available as a separate part.

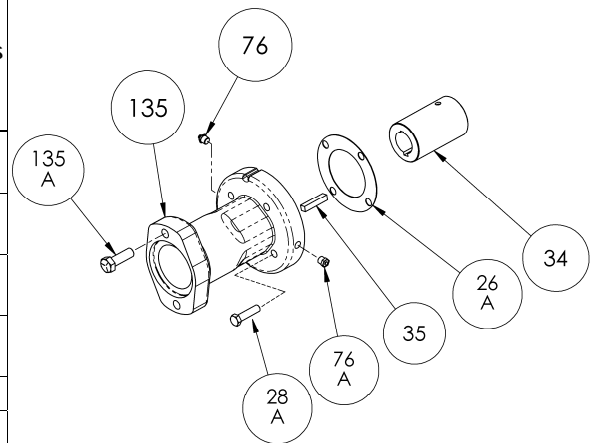
FLANGES

REF. NO.	PART NAME	PARTS PER PUMP	PART NO.
42	Flange – 2" NPT	1 – 2	651411
	Flange – 2" Weld		654405
	Flange – 2" Victaulic		654408
42A	Gasket – Flange, NPT and Weld	0 – 2	¹ 381421
42B	Capscrews – 2" NPT Flange	4 – 8	920351
	Capscrews – Victaulic Flanges		920331
42C	O-Ring – Victaulic Flange (Buna-N)	0 – 2	702004
	O-Ring – Victaulic Flange (FKM)		702086
	O-Ring – Victaulic Flange (PTFE)		702078



OPTIONAL HYDRAULIC MOTOR ADAPTER

REF. NO.	PART NAME	PARTS PER PUMP	PART NO. 1-1/4" Hyd Motor Shaft	PART NO. 1" Hyd Motor Shaft	PART NO. 1" H-Series Hyd Motor Shaft
See Below	Hydraulic Motor Adapter Kit	See Below	891458	891205	891464
26A	Gasket – Hydraulic Motor Adapter	1	383940	383940	383940
28A	Capscrew – Hydraulic Motor Adapter / Head	4	920369	920369	920369
34	Coupling w/ Setscrew – for straight key hyd. motor shaft	1	906967	906966	906966
35	Key – Coupling	1	909184	N/A	N/A
76	Grease Fitting	1	317815	317815	317815
76A	Grease Relief Fitting	1	701992	701992	701992
135	Hydraulic Motor Adapter – SAE A Flange	1	041828	041827	041807
135A	Capscrew – Adapter / Motor	2	920510	920510	920510



* Hydraulic Motor Adapter Kits shipped prior to Spring 2002 were of a two piece design – refer to page 206-B00.



Tank Truck Service & Sales, Inc.
Warren, Michigan www.tanktruckservice.com 800-482-2678